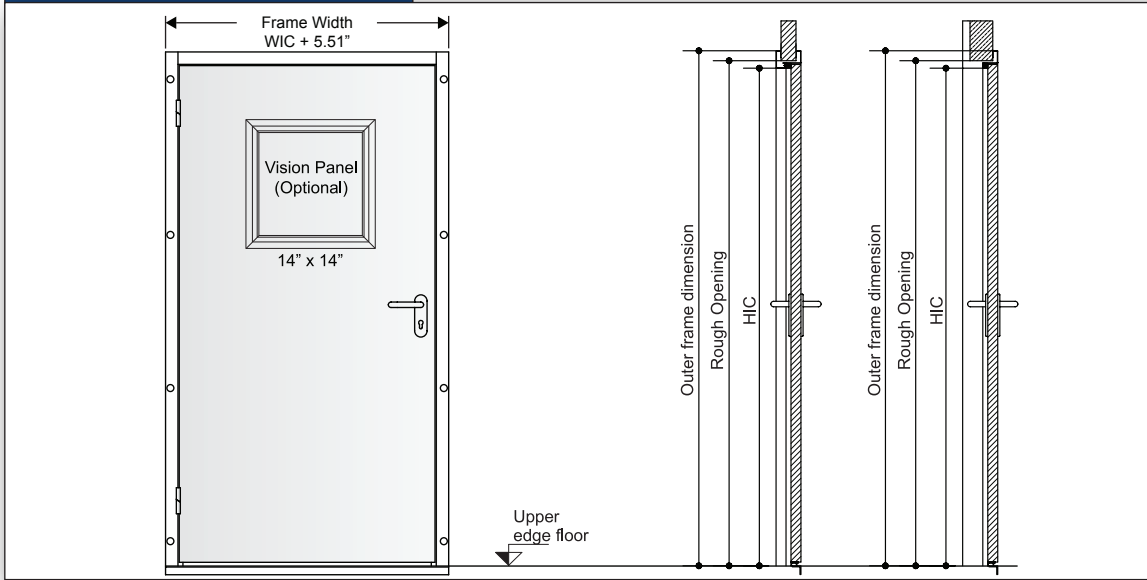
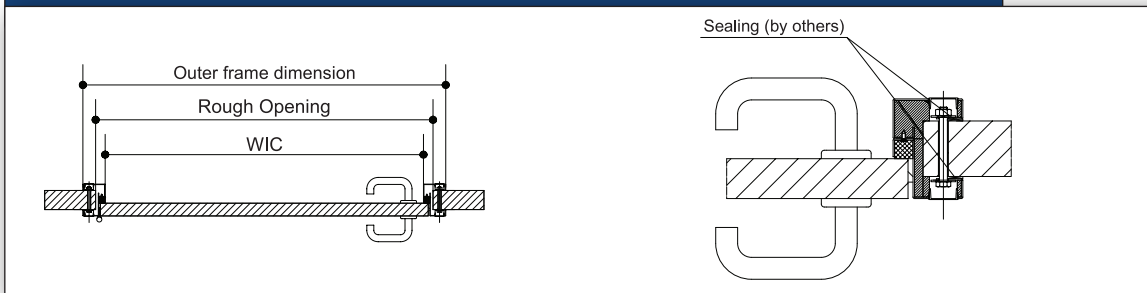


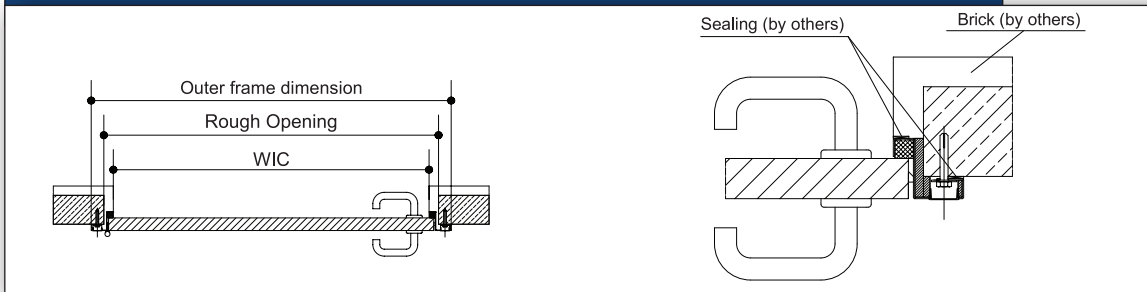
FRONT AND LATERAL VIEW



DETAILS FOR PANEL INSTALLATION LEFT SWING (RIGHT SWING LATERALLY REVERSED)



DETAILS FOR BRICKWORK INSTALLATION LEFT SWING (RIGHT SWING LATERALLY REVERSED)



WARRANTY

1 year limited warranty on all parts

OPTIONS

- vision panel
- kickplates
- door closures
- panic or push/push

PERSONNEL
SWING DOOR

General information (warranty): The specifications on this Data Sheet only serve for description purposes. Affirmations with regard to the existence of specific characteristics or a certain purpose of use require a special written agreement in each case. Date: 09/2010 - Subject to technical changes. All dimensions in inches.

BTM40

PERSONNEL SWING DOOR

CHARACTERISTICS

Field of use:

For Internal and External personnel applications.

U-value for door leaf in W/m²K: 0,58

Dimensions:

Clear width (WIC): max. 4'
Clear Height (HIC): max. 8'

Standard:

- mortised stainless steel lever lock
- stainless steel frame

Further sizes deliverable upon request as special production.



DOOR LEAF

Door leaf thickness 1.5"
Foamed with 10# polyurethane hard foam
CFC and HCFC free
Thermal break in middle of door.

Silicone gasketing resistant to bacteria.
Bottom of door double EPDM gasket.

All gaskets are easily exchangeable.

DOOR FRAME

16 gauge stainless steel 1.4301 non corrosive according to DIN 17440.
2 piece frame with thermal break.

Option: 1 piece block frame

FORMWORK FOR COATING

Grade Z275, anticorrosion class III DIN 55928.
Polyester coating, 25 micrometers in industrial colors in accordance with the ems color chart.

Options:

- Coating FS3000, 25 micrometers, especially suitable for wash down food processing applications.
- Coating for dry interior applications, 150 micrometers.

Chromium nickel stainless steel (CNS) 1.4301 non corrosive according to DIN 17440.

- Option:**
- Circular finish
 - Brushed finish
 - Further options upon request.

HINGES/HANDLES

Mortised rising hinges from chromium nickel stainless steel.

Other handles available upon request

General information (warranty): The specifications on this Data Sheet only serve for description purposes. Affirmations with regard to the existence of specific characteristics or a certain purpose of use require a special written agreement in each case. Date: 09/2010 - Subject to technical changes. All dimensions in inches.

Important note: All surfaces are covered with a protective assembly foil which must be immediately removed after installation esp. in the case of sun radiation.

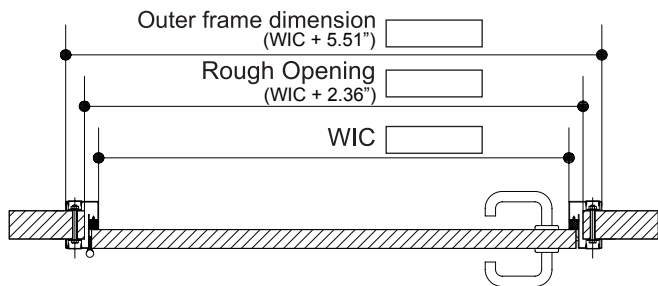
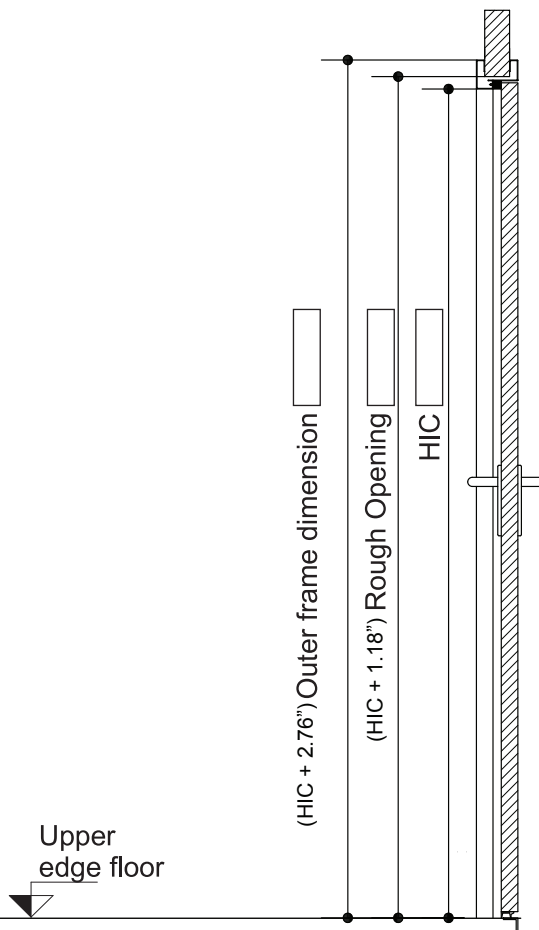
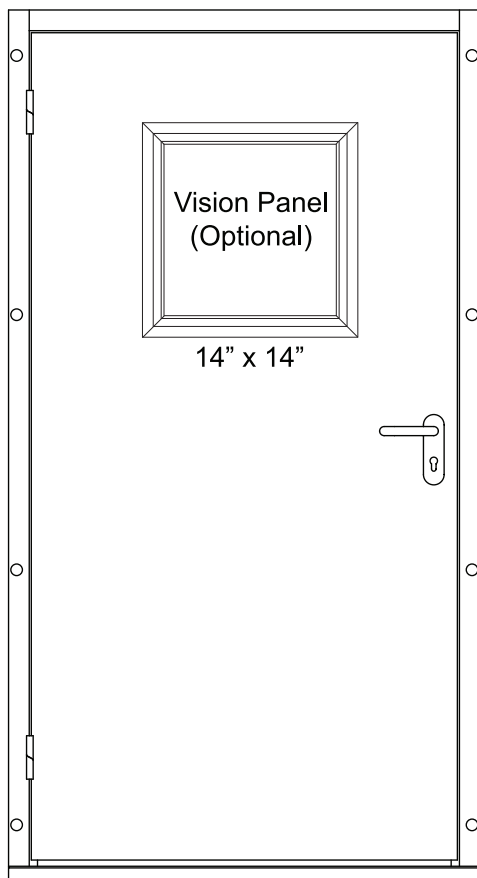
<http://www.steelworksandsupply.com>

Phone: (919) 639 - 3002

ems-USA
INSULATED DOORS

Shop Drawing For Fabrication

BTM40
PERSONNEL SWING DOOR



Changes, Remarks, etc.

<http://www.steelworksandsupply.com>
 Phone: (919) 639 - 3002

Door Information

- Height In Clear _____
- Width In Clear _____
- Rough Opening Height _____
- Rough Opening Width _____
- Seal Material EPDM Silicone
- Hinged Side Right Left
- Door Finish White Stainless
- Stainless Finish Circular Brushed

Frame Information

- Frame Clearance Height _____
- Frame Clearance Width _____
- Frame Style 2 pc Block
- Clamp Rough Opening _____
- Flat Frame Finished Opening _____
- Wall Thickness _____
- Pocket Holes Yes No
- Frame Material PVC White Clad
 PVC S/S Clad
 Foamed
 Stainless Steel

Options

- Push/Pull Handle Yes No
- Handle Package Plastic Handle
 Stainless Handle
- Mortise Lock (Stainless Steel) Yes
- Panic Bar W/Exterior Access
 W/Out Exterior Access
- Kick Plate Yes No
- Door Closer Yes No
- Window Yes No
- Size _____

Ordering Information

- Door Number _____
- Quantity _____
- Job _____
- P.O. Number _____
- Date Ordered _____

___ Approved ___ Approved w/changes (use box if needed)

INSULATED DOORS

Signature _____

Date _____