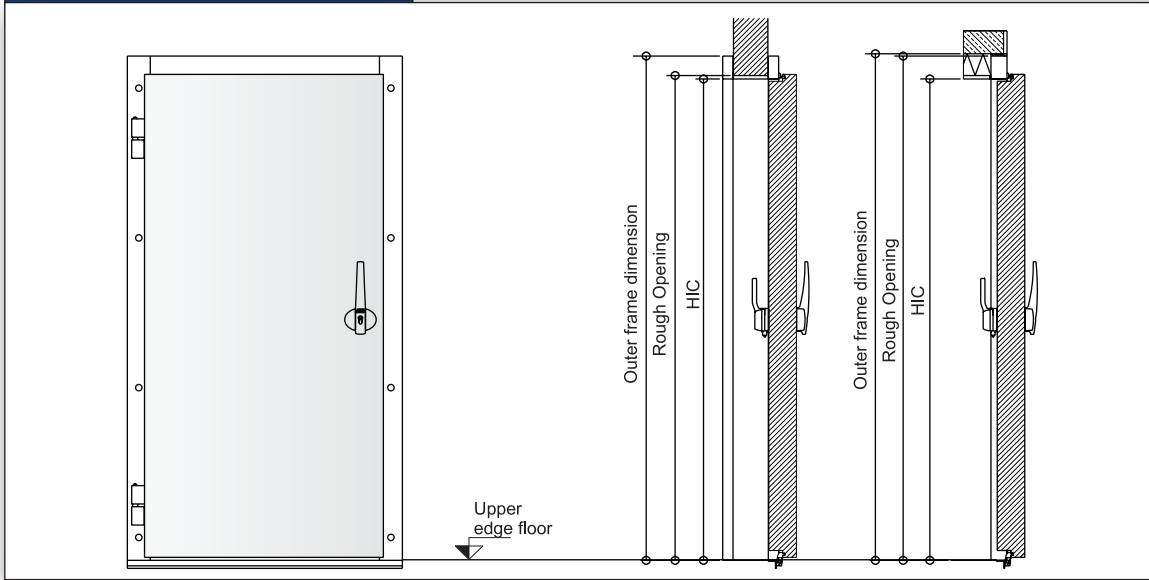
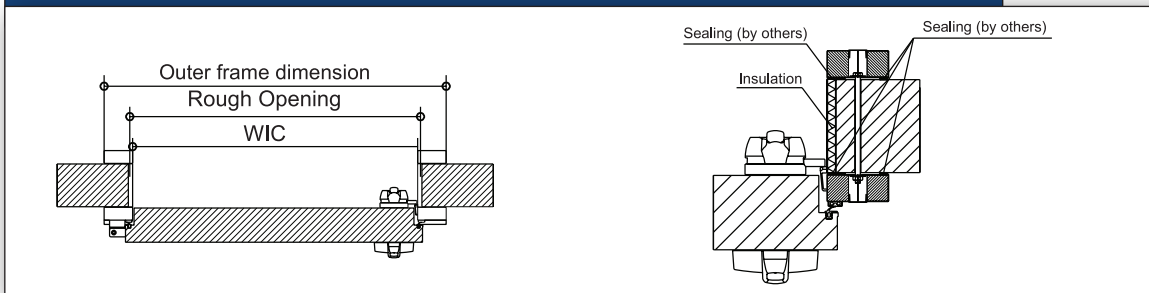


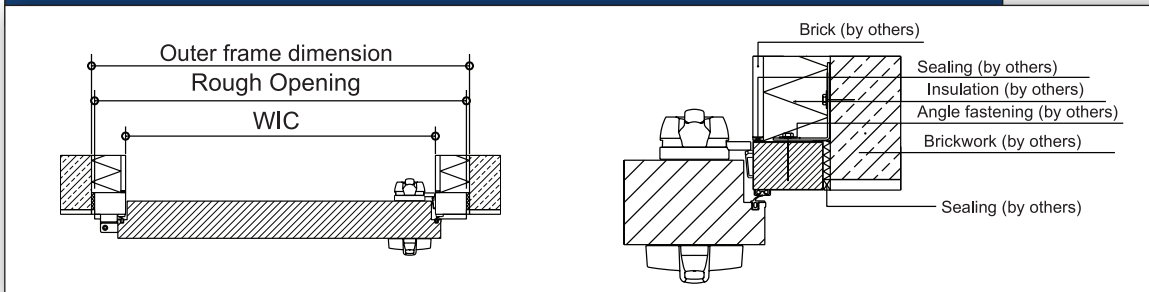
FRONT AND LATERAL VIEW



DETAILS FOR PANEL INSTALLATION LEFT SWING (RIGHT SWING LATERALLY REVERSED)



DETAILS FOR BRICKWORK INSTALLATION LEFT SWING (RIGHT SWING LATERALLY REVERSED)



WARRANTY

1 year limited warranty on all parts

OPTIONS

- vision panel
- stainless steel kickplate
- PVC kickplates
- frame material options
- tubular frame
- panic or push/push
- 4 sided frame heating
- heating in bottom of door

General information (warranty): The specifications on this Data Sheet only serve for description purposes. Affirmations with regard to the existence of specific characteristics or a certain purpose of use require a special written agreement in each case. Date: 09/2010 - Subject to technical changes. All dimensions in inches.
Important note: All surfaces are covered with a protective assembly foil which must be immediately removed after installation esp. in the case of sun radiation.

CHARACTERISTICS

Field of use:
refrigerating rooms, refrigerating store rooms
• **Option for Blast Freezer Rooms**

Temperature Range:
down to -18.4°F (-28°C)
down to -40° for Blast Freezer Rooms (see factory)

U-value for door leaf in W/m²K: 0,20

Dimensions:
Clear width (WIC): max. 6'
Clear Height (HIC): max. 10'

Further sizes deliverable upon request as special production.



DOOR LEAF

VERSION
Door leaf thickness 4.72", (blast freezer room 6.30")
Foamed with 10# polyurethane hard foam
CFC and HCFC free

SEAL
Trilaterally supported by plastic profiles, EPDM sponge rubber sealing resistant to bacteria. In the lower area double rubber sealing.

All seals are easily exchangeable.

DOOR FRAME

Standard execution:
Brickwork installation: metal frame 3.94" x 2.76", foamed with 10# polyurethane hard foam. Sheet same execution as door leaf. With or without threshold, optionally attached, light metal profile threshold at ground level. Ready for installation with wall anchors.
Panel installation: clamp frame 3.94" x 1.77", sheet same execution as door leaf.
• *Electrical frame and threshold heated with direct connection to 120V, hidden under easily exchangeable clip system for both Brickwork & Panel installation.*
Further options upon request:
• High Sill

FORMWORK FOR COATING

STEEL SHEET
Galvanized, grade Z275, anticorrosion class III acc.to DIN 55928.
Polyester coating, 25 micrometers in industrial colors in accordance with the ems color chart.

Options:
• Coating FS3000, especially suitable for use in the food processing industry, physiologically harmless, available in industrial colors.
• Food safe foil coating (LMF), 150 micrometers, physiologically harmless **only suitable for interior use**, color similar to RAL 9001, vertical sheet joint from 0.04".

STAINLESS
Stainless steel, 1.4301, non corrosive according to DIN 17440, circular depolishing or brushed longitudinal, vertical sheet joint from 0.055".

Further options upon request.

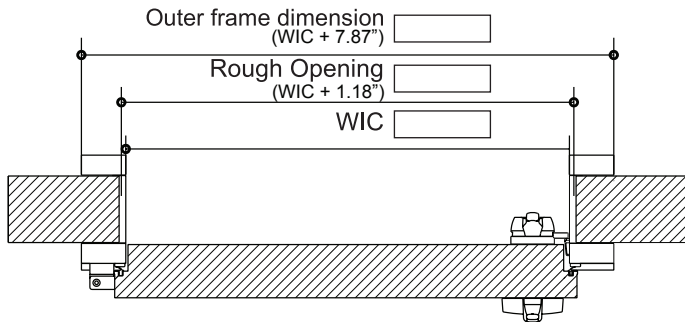
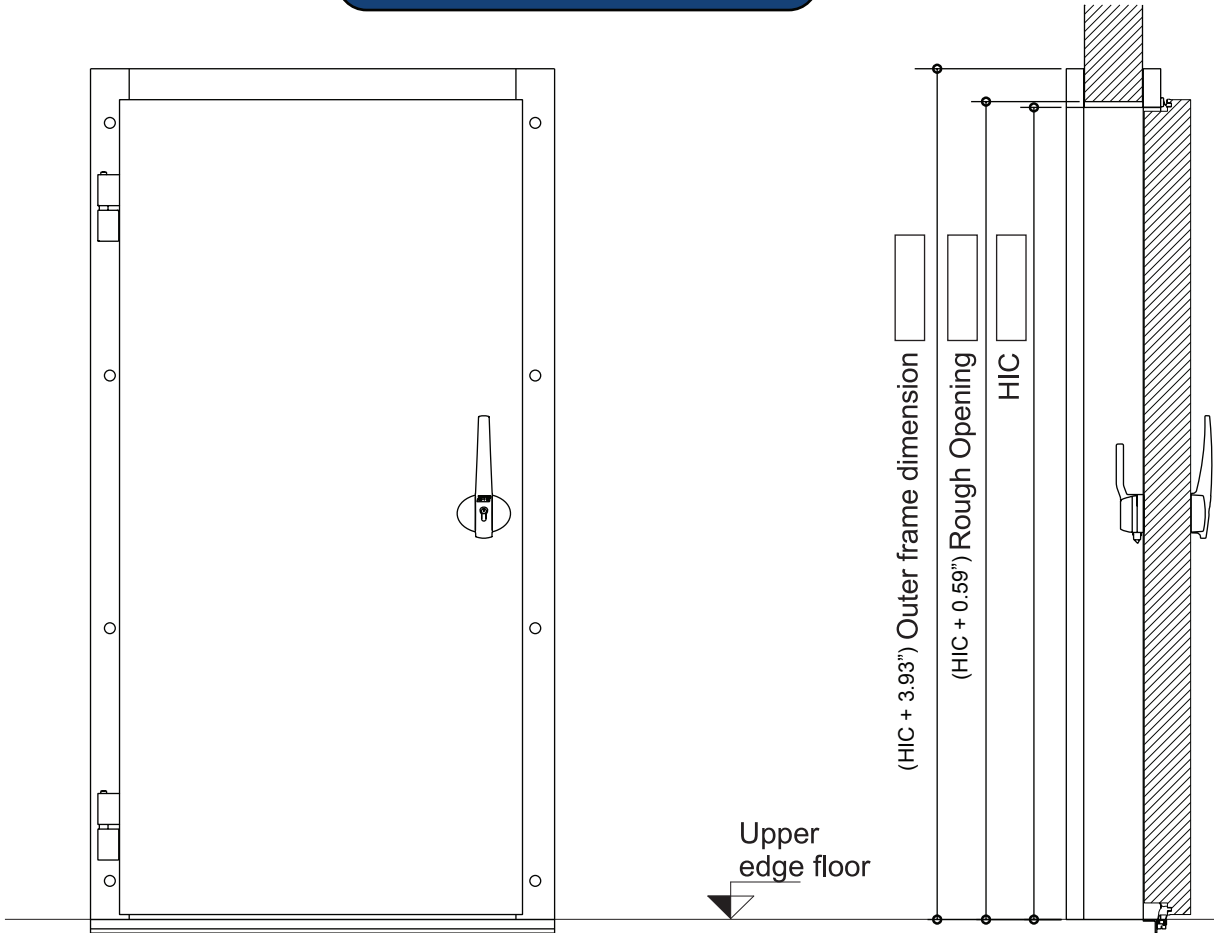
HINGES/HANDLES

Standard execution: rising hinges made of stainless steel in plastic interconnection three-dimensional adjustable ems combi handle with 3 keys.

Further options upon request:
• press lock "ems-press 2000"
• three point bolting device

Shop Drawing For Fabrication

GTM1 FREEZER ROOM HINGED DOOR



Changes, Remarks, etc.

Door Information

- Height In Clear _____
- Width In Clear _____
- Rough Opening Height _____
- Rough Opening Width _____
- Seal Material EPDM Silicone
- Hinged Side Right Left
- Door Finish White Stainless
- Stainless Finish Circular Brushed

Frame Information

- Frame Clearance Height _____
- Frame Clearance Width _____
- Frame Style Clamp Flat
- Clamp Rough Opening _____
- Flat Frame Finished Opening _____
- Wall Thickness _____
- Pocket Holes Yes No
- Frame Material PVC White Clad
 PVC S/S Clad
 Foamed

Options

- Push/Pull Handle Yes No
- Handle Package Plastic Handle
 Stainless Handle
- Mortise Lock (Stainless Steel) Yes
- Panic Bar W/Exterior Access
 W/Out Exterior Access
- Kick Plate Yes No
- Door Closer Yes No
- Window Yes No
- Size _____
- Heat Frame Door

Ordering Information

- Door Number _____
- Quantity _____
- Job _____
- P.O. Number _____
- Date Ordered _____

<http://www.steelworksandsupply.com>
 Phone: (919) 639 - 3002

___ Approved ___ Approved w/changes (use box if needed)

INSULATED DOORS

Signature _____

Date _____