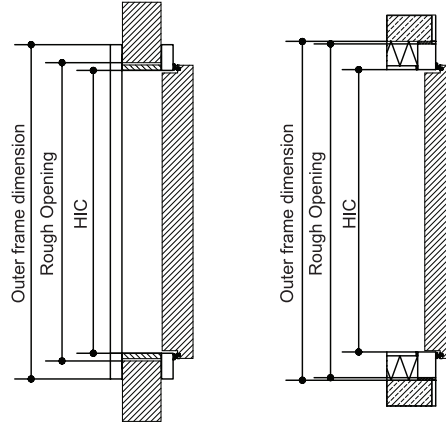
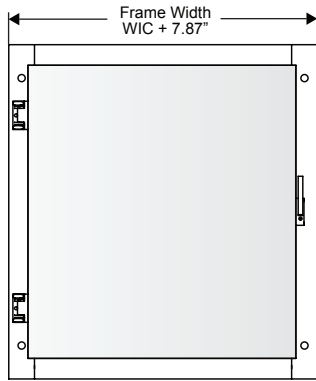
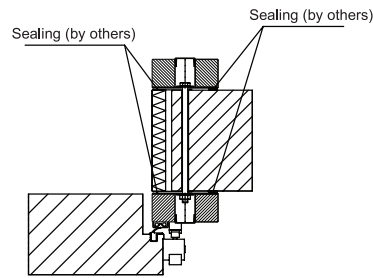
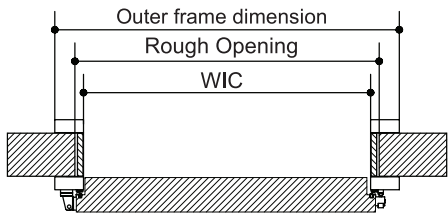


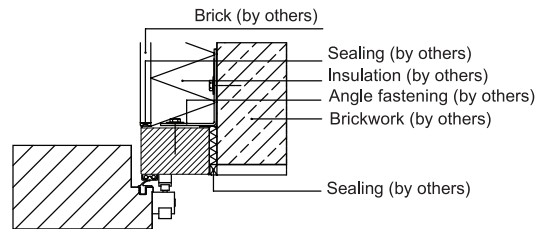
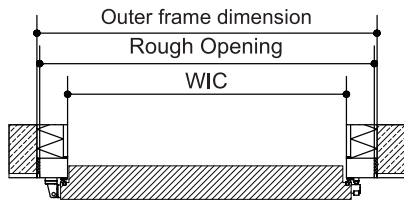
FRONT AND LATERAL VIEW



DETAILS FOR PANEL INSTALLATION LEFT SWING (RIGHT SWING LATERALLY REVERSED)



DETAILS FOR BRICKWORK INSTALLATION LEFT SWING (RIGHT SWING LATERALLY REVERSED)



WARRANTY

**1 year limited
warranty on
all parts**

OPTIONS

**FREEZER
CHAMBER HATCH**

General information (warranty): The specifications on this Data Sheet only serve for description purposes. Affirmations with regard to the existence of specific characteristics or a certain purpose of use require a special written agreement in each case. Date: 09/2010 - Subject to technical changes. All dimensions in inches.

GLM120

FREEZER CHAMBER HATCH

CHARACTERISTICS

Field of use:

for use in freezers where just a hatch is needed for unlimited uses.

• Option for Blast Freezer Rooms**Temperature Range:**

down to -18.4°F (-28°C)

down to -40° for Blast Freezer Rooms (see factory)

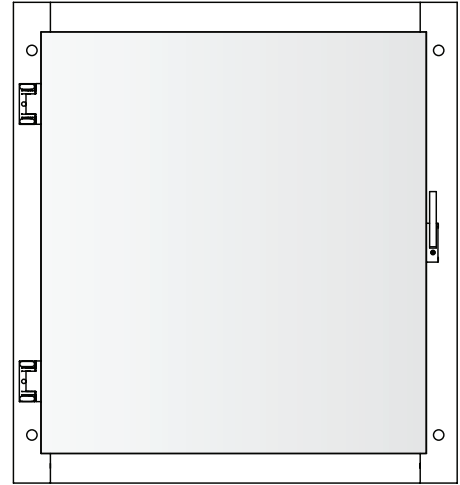
U-value for door leaf in W/m²K: 0,20

Dimensions:

Clear width (WIC): max. 4'

Clear Height (HIC): max. 6'

Further sizes deliverable upon request as special production.



DOOR LEAF

VERSION
SEAL

Door leaf thickness 4.72", (blast freezer room 6.30")
Foamed with 10# polyurethane hard foam
CFC and HCFC free

Surrounding seal supported by plastic profiles, EPDM
sponge rubber sealing resistant to bacteria. In
the lower area double rubber sealing.

All seals are easily exchangeable.

DOOR FRAME

Standard execution:

Brickwork installation: metal frame 3.94" x 2.76",
foamed with 10# polyurethane hard foam. Sheet same
execution as door leaf. With or without threshold,
optionally attached, light metal profile threshold at
ground level. Ready for installation with wall anchors.

Panel installation: clamp frame 3.94" x 1.77", sheet
same execution as door leaf.

• *Electrical frame and threshold heated with direct
connection to 120V, hidden under easily exchangeable
clip system for both Brickwork & Panel installation.*

Further options upon request:

- High Sill

FORMWORK FOR COATING

STEEL SHEET
STAINLESS

Galvanized, grade Z275, anticorrosion class III acc.to DIN 55928.
Polyester coating, 25 micrometers in industrial colors in accordance with the ems color chart.

Options:

- Coating FS3000, especially suitable for use in the food processing industry, physiologically harmless, available in industrial colors.
- Food safe foil coating (LMF), 150 micrometers, physiologically harmless **only suitable for interior use**, color similar to RAL 9001, vertical sheet joint from 0.04".

Stainless steel, 1.4301, non corrosive according to DIN 17440, circular depolishing or brushed longitudinal,
vertical sheet joint from 0.055".

Further options upon request.

HINGES/HANDLES

Standard execution: rising hinges made of stainless steel in plastic interconnection three-dimensional adjustable
ems combi handle with 3 keys.

Further options upon request:

- press lock "ems-press 2000"
- three point bolting device

General information (warranty): The specifications on this Data Sheet only serve for description purposes. Affirmations with regard to the existence of specific characteristics or a certain purpose of use require a special written agreement in each case. Date: 09/2010 - Subject to technical changes. All dimensions in inches.

Important note: All surfaces are covered with a protective assembly foil which must be immediately removed after installation esp. in the case of sun radiation.

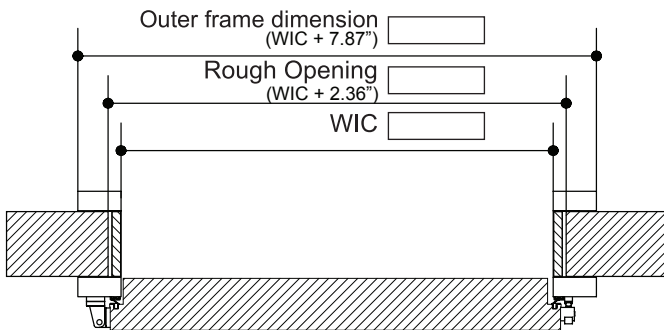
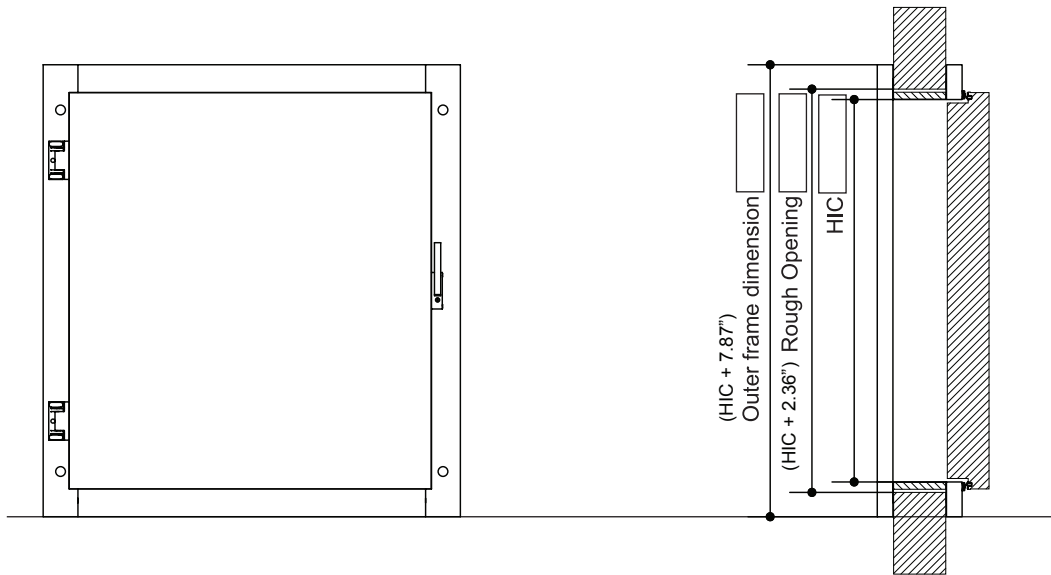
(click here)

<http://www.steelworksandsupply.com>

Phone: (919) 639 - 3002

ems-USA

INSULATED DOORS



Changes, Remarks, etc.

<http://www.steelworksandsupply.com>
Phone: (919) 639 - 3002

Door Information

- Height In Clear _____
- Width In Clear _____
- Rough Opening Height _____
- Rough Opening Width _____
- Seal Material EPDM Silicone
- Hinged Side Right Left
- Door Finish White Stainless
- Stainless Finish Circular Brushed

Frame Information

- Frame Clearance Height _____
- Frame Clearance Width _____
- Frame Style 2 pc Block
- Clamp Rough Opening _____
- Flat Frame Finished Opening _____
- Wall Thickness _____
- Pocket Holes Yes No
- Frame Material PVC White Clad
 PVC S/S Clad
 Foamed
 Stainless Steel

Options

- Push/Pull Handle Yes No
- Handle Package Plastic Handle
 Stainless Handle
- Mortise Lock (Stainless Steel) Yes
- Panic Bar W/Exterior Access
 W/Out Exterior Access
- Kick Plate Yes No
- Door Closer Yes No
- Window Yes No
- Size _____

Ordering Information

- Door Number _____
- Quantity _____
- Job _____
- P.O. Number _____
- Date Ordered _____